



Alfa Laval Cooling insulation

Accessories gasketed plate-and-frame heat exchangers

Introduction

Alfa Laval Cooling insulation is used to thermally insulate gasketed plate-and-frame heat exchangers with operating temperatures between -50°C (-58°F) to 80°C (176°F). The insulation saves energy and reduces condensation and the formation of ice.

Applications

- Biotech and Pharmaceutical
- Chemicals
- Energy and Utilities
- Food and Beverages
- Home and Personal care
- HVAC and Refrigeration
- Machinery and Manufacturing
- Marine and Transportation
- Mining, Minerals and Pigments
- Pulp and Paper
- Semiconductor and Electronics
- Water and Waste treatment

Benefits

- Saves energy
- Prevents condensation and formation of ice
- Easy to install

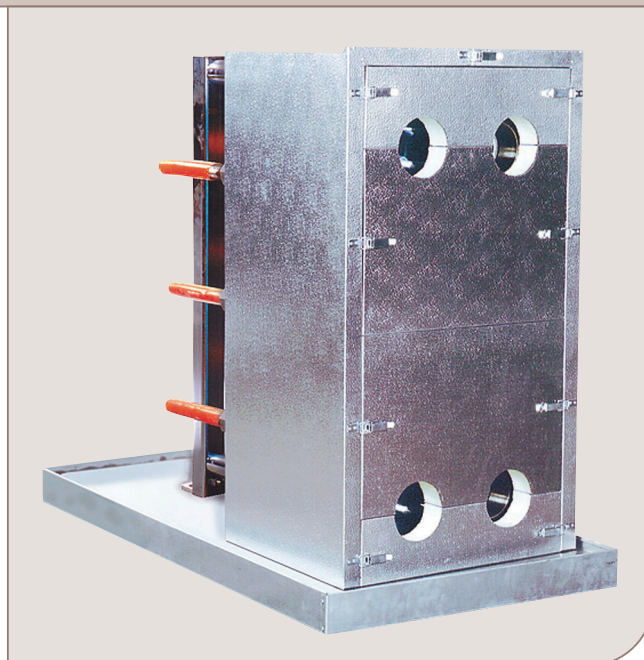
Design

Alfa Laval Cooling insulation is available for some of the heat exchangers in the Industrial line and the Industrial semi-welded line. The cooling insulation sections (panels) are designed to ensure simple assembly and disassembly. The panels are equipped with connecting spring locks in galvanized steel.

Selection

To be able to make a quotation, please specify:

- Frame type
- A-measurement
- Type of connections
- Connection positions



Technical data

Cladding	Aluminium stucco sheet 1.0 mm (0.039in)
Insulation	Polyurethane 40kg/m ³ , 60 mm (2.36 in)
Inside layer	Aluminium foil 0.05 mm (0.002 in)
Panel fixation	Snap locks

Approximate dimension

The table shows maximum dimensions and might be smaller. For exact measurements please use the sales configurator tool. Measurements in mm (inch).

Product	L ¹	W	H ²	W ₁	L ₁
M6-FM, ³ M6-FG ³	A + 350 (13.78)	460 (18.11)	1042 (41.02)	480 (18.90)	B + 166 (6.53)
TL6-FM, ³ TL6-FG, ³ TL6-FD ³	A + 380 (14.96)	480 (18.90)	1432 (56.38)	480 (18.90)	B + 166 (6.53)
M10-FM, ³ M10-FG, ³ M10-FD, ³ M10-FT ³	A + 475 (18.70)	600 (23.62)	1202 (47.32)	700 (27.56)	B + 290 (11.41)
M10-FX ³	A + 595 (23.42)	600 (23.62)	1257 (49.49)	700 (27.56)	B + 150 (5.90)
M10-REF ³	A + 350 (13.78)	600 (23.62)	1120 (44.09)	630 (24.80)	B + 150 (5.90)
TL10-FM, TL10-FG, TL10-FD	A + 380 (14.96) A + 410 (16.14)	610 (24.01)	2072 (81.57) 2112 (83.15)	700 (27.56)	A + 740 (29.13)
TL10-FS	A + 450 (17.72)	640 (25.20)	2112 (83.15)	730 (28.74)	A + 740 (29.13)
M15-FM M15-FG	A + 360 (14.17) A + 440 (17.32)	740 (29.13) 800 (31.50)	2062 (81.18) 2062 (81.18)	770 (30.31) 820 (32.28)	A + 660 (25.98) A + 740 (29.13)
M15-FD	A + 500 (19.68)	820 (32.28)	2162 (85.12)	850 (33.46)	A + 800 (31.50)
MK15-FG, MK15-FD, MK15-FT, MK15-FGR, MK15-FDR	A + 600 (23.62)	810 (31.89)	1607 (63.27)	840 (33.07)	A + 725 (28.54)
TL15-FM TL15-FG, TL15-FD, TL15-FS	A + 350 (13.78) A + 530 (20.87)	760 (29.92) 820 (32.28)	2872 (113.07) 2872 (113.07)	800 (31.50) 840 (33.07)	A + 650 (25.59) A + 830 (32.68)
T20-FG T20-FD, T20-FS	A + 480 (18.90) A + 530 (20.87)	910 (35.83) 930 (38.19)	2287 (90.04) 2332 (91.81)	950 (37.40) 970 (38.19)	A 750 (29.53) A 750 (29.53)
TK20-FG	A + 495 (19.49)	870 (34.25)	1642 (64.64)	910 (35.83)	A + 615 (24.21)

¹ L = A + total insulation measure.

² The height (H) includes the thickness of the drip tray which is placed under the heat exchanger. NOTE! The vertical positions of the connections are 62 mm (2.44 inch) higher for installations that include a drip tray.

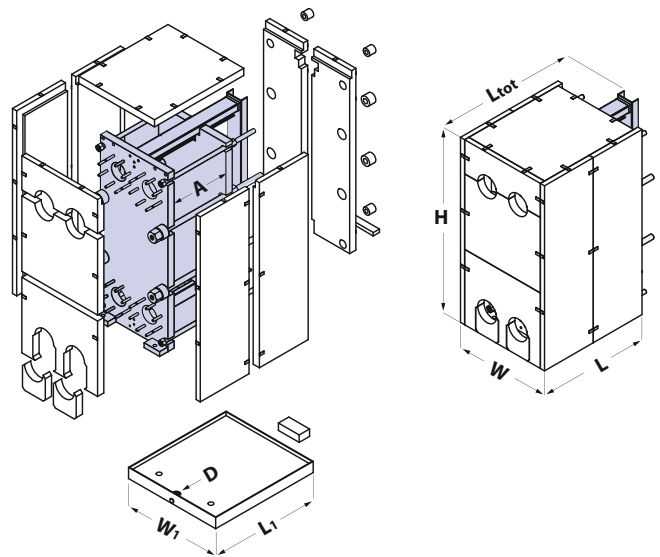
³ L = Ltot (the complete heat exchanger inside the insulation)

TK20-FD	A + 525 (20.67)	915 (36.02)	1642 (64.64)	955 (37.60)	A + 645 (25.39)
TK20-FX	A + 610 (24.01)	915 (36.02)	1677 (66.02)	955 (37.60)	A + 730 (28.74)
MX25-FG, MX25-FD, MX25-FS	A + 580 (22.83)	1060 (41.73)	3202 (126.06)	1100 (43.31)	A + 880 (34.64)
MX25-FMS, MX25-FGS	A + 490 (19.29)	1060 (41.73)	2722 (107.16)	1090 (42.91)	A + 790 (31.10)
T25-FG	A + 510 (20.08)	1060 (41.73)	2783 (109.57)	1110 (43.70)	LC + 435 (17.13)
T25-FD	A + 590 (23.23)	1080 (42.52)	2837 (111.69)	1130 (44.49)	LC + 475 (18.70)
T25-FS	A + 630 (24.80)	1080 (42.52)	2837 (111.69)	1130 (44.49)	LC + 490 (19.29)
TL35-FM	A + 550 (21.65)	1310 (51.57)	3252 (128.03)	1350 (53.15)	A + 850 (33.46)
TL35-FG	A + 605 (23.82)	1310 (51.57)	3332 (131.18)	1350 (53.15)	A + 905 (35.63)
TL35-FD, TL35-FS	A + 700 (7.56)	1320 (51.97)	3342 (131.57)	1360 (53.54)	A + 1000 (37.37)

¹ L = A + total insulation measure.

² The height (H) includes the thickness of the drip tray which is placed under the heat exchanger. NOTE! The vertical positions of the connections are 62 mm (2.44 inch) higher for installations that include a drip tray.

³ L = Ltot (the complete heat exchanger inside the insulation)



For actual heat exchanger measurements see PHE drawing

A = Plate pack length

B = Foot print length

C = Total length

LC = Length of carrying bar

Ltot = C + 0.5 insulation measure

D = Drainage

This document and its contents is owned by Alfa Laval Corporate AB and protected by laws governing intellectual property and thereto related rights. It is the responsibility of the user of this document to comply with all applicable intellectual property laws. Without limiting any rights related to this document, no part of this document may be copied, reproduced or transmitted in any form or by any means (electronic, mechanical, photocopying, recording, or otherwise), or for any purpose, without the expressed permission or authorized by Alfa Laval Corporate AB. Alfa Laval Corporate AB will enforce its rights related to this document to the fullest extent of the law, including the seeking of criminal prosecution.

200000037-2-EN-GB

© Alfa Laval Corporate AB

How to contact Alfa Laval

Up-to-date Alfa Laval contact details for all countries are always available on our website at www.alfalaval.com



WWS-GmbH

Wildenhoff 18
46240 Bottrop

Fon +49 2041 988 520

Fax +49 2041 988 521

info@wvs-gmbh.eu

www.wvs-gmbh.eu